

KS-48 RACK WASHER



CINCINNATI
INDUSTRIAL MACHINERY



This **ALVEY WASHING EQUIPMENT** machine was installed by

(lead installer)

on the day of

(month / day / year).

Serial #: _____

Customer PO #: _____

Manufacturer SO #: _____

For parts and services, call

ARMOR AFTERMARKET

at

1-800-725-9957

or email partsandservice@armoraftermarket.com



Dear Valued Customer,

Thank you for your trust in, and relationship with Alvey Washing Equipment. We hope you have many years of uninterrupted service from our product.

If you need parts, service, or support, contact **ARMOR AFTERMARKET** at 1-800-725-9957, or email partsandservice@armoraftermarket.com. Some advantages of requesting **ARMOR AFTERMARKET** to fill your replacement parts orders are:

1. Being the original manufacturer of this equipment offers simplicity in order replacement.
2. We are entitled to original equipment manufacturer discounts, which are passed on to our customers.
3. It is our primary responsibility to serve you in a timely and professional manner.

A suggested spare parts list for your machine is included in the CD we are providing your company. This CD has been created to assist you in learning about and using your new machine. The program will help you quickly find documentation and instructions regarding common usage and parts. Adobe Acrobat Reader will be required to view the manual; a download is available from the CD.

If the CD does not start automatically, run "CD_Start.exe" on your CD drive. Should you have problems reading any files, please contact us.

Sincerely,

Alvey Washing Equipment

Documentation and Manual Team and The Parts and Service Department

Section	Title	Page
I.	Warranty and Notice	1
II.	General Description	5
III.	Setup	7
IV.	Startup	9
V.	Sequence of Operations	11
VI.	Maintenance	13
VII.	Trouble-Shooting Guide	15
VIII.	Recommended Spare Parts	19
IX.	Illustrated Spare Parts	21
X.	Illustrations	23



ACCEPTANCE – The quote of which these terms and conditions are incorporated therein in their entirety is conditioned upon its written acceptance by the customer (hereinafter “Purchaser”) within thirty (30) days from the date of the quote, and prior to such written acceptance, the quote and these terms and conditions are subject to change without notice. Upon Manufacturer’s (as defined below) acceptance of the purchase order, these terms and conditions shall be binding on Purchaser. All previous agreements, understandings and quotations are superseded by these terms and conditions. No modification of any of these terms and conditions herein shall be binding on Manufacturer unless such modification is agreed to in writing by an authorized representative of Manufacturer from the Mason Office of Armor Metal Group. “Manufacturer” as used herein shall be deemed to mean the manufacturer as identified on the quote of which these terms and conditions are incorporated therein.

SHIPPING DATES - Shipping dates are approximate, based on prompt receipt by Manufacturer of all necessary information, and are subject to change by reason of factory conditions. Receipt of the product quoted (hereinafter the “Equipment”) by the Purchaser shall constitute a waiver of all claims for delay.

PRICING - All prices quoted by Manufacturer are subject to change at any time and to any addition which may be necessary to cover any regional or nationwide material price increase or shipping surcharge to Manufacturer for materials. Manufacturer reserves the right to correct all typographical or clerical errors, which may be present in Manufacturer’s prices or specifications.

TERMS - Unless otherwise mutually agreed upon in writing, the Equipment is sold F.O.B. Manufacturer’s Factory. Terms of this sale are subject to separate written agreement between Manufacturer and Purchaser, to be determined at the time of consummation of this sale. Unless otherwise provided in such separate written agreement, payment in full shall be due and invoiced when the Equipment is ready for delivery. No cash discounts are allowed unless otherwise specifically provided by Manufacturer in writing. If, in the exclusive judgment of Manufacturer,

the financial condition of Purchaser at any time does not justify the commencement or continuance of production or shipment on the terms specified herein, Manufacturer may, in addition to all other remedies it may have at law or in equity, make a written demand for full or partial payment in advance, suspend its performance until such payment is made and cancel the contract if such payment is not received by Manufacturer within 30 days after delivery in person or mailing of such demand by Manufacturer. If Purchaser fails to pay within ten (10) days after the due date thereof any sum required to be paid by Purchaser to Manufacturer hereunder, Purchaser will pay to Manufacturer for each delinquent payment or part thereof interest on such delinquent amount from the due date thereof until paid at the lesser of the maximum interest rate allowed by law or eighteen percent (18%) per annum. Sale price shall be payable in current funds of the United States at par.

BACKCHARGE POLICY - When a suspected problem develops in the field involving Manufacturer’s product, Manufacturer should be contacted immediately. Purchaser shall give a written statement to Manufacturer detailing the nature of the problem and its probable cause. Manufacturer will evaluate the issue, and if confirmed to be a warranty issue, will respond in accordance with the warranty provisions below. Unless otherwise agreed in writing by Manufacturer, Manufacturer’s personnel shall perform all required field service work. In the event an outside party performs any work for which the Manufacturer has not consented in writing, Purchaser shall be responsible for all such work. Prior consent consists of a written purchase order from the Manufacturer detailing the work to be performed and cost.

DUTY, TAXES, PERMITS AND BONDS - Any Federal, State, local or Import Duty or tax arising out of either sale, manufacture or installation of the Equipment or performance of the within contract, is not included in the quoted price, and where necessary, will be made an additional charge to be paid by Purchaser.



All licenses and permits, including without limitation, any building or erection licenses and permits, if necessary, shall likewise be paid by Purchaser; and should Manufacturer be required to furnish any Bond or Bonds on the within contract, the cost thereof shall also be added to the quoted price.

ADDITIONAL MATERIAL AND LABOR - Any material added to, or labor performed on or in connection with the Equipment or installation thereof, shall be at Purchaser's own expense, unless otherwise agreed to in writing by Manufacturer.

SAFETY DEVICES - Manufacturer will supply such safety devices or fire protection equipment as is specified in writing in its proposals. If Purchaser desires or requests through local, State or Insurance Underwriter's Specifications or regulations, other additional safety devices or equipment, Manufacturer will undertake, without being obligated therefore, to furnish same at Purchaser's cost. Manufacturer assumes no liability for loss or damage to persons or property occasioned by any accident or casualty resulting from the use of fuel gas, fuel oil, oven or immersion tube atmosphere gas in connection with the Equipment.

USE OF SPECIFICATIONS AND DRAWINGS - The drawings, designs, specifications and data accompanying any proposal are Manufacturer's property and are subject to recall by Manufacturer at any time. Such drawings, designs, specifications and data, or any part of them, shall not be used by Purchaser for competitive bidding or similar purposes without Manufacturer's prior written approval.

TITLE AND OWNERSHIP - It is the intention that the Equipment be sold to Purchaser and that title to the same shall be acquired by Purchaser upon shipment from Manufacturer's premises. Manufacturer shall retain a purchase money security interest lien on each piece of Equipment, including without limitation, any accessories to such Equipment, proceeds from the sale thereof and any insurance proceeds related to such Equipment, until final payment thereof is made as per the agreed terms. If Manufacturer gives Purchaser possession before final payment is made, it is hereby mutually agreed that:

a) The title and the right of possession of the Equipment shall transfer to the Purchaser upon shipment; provided however, Manufacturer shall retain a purchase money security interest lien on each piece of Equipment, including without limitation, any accessories to such Equipment, proceeds from the sale thereof and any insurance proceeds related to such Equipment until full and final payment therefore (including payment of any promissory notes and/or other security taken in lieu of or in accordance with the terms hereof) shall have been made. Purchaser also authorizes Manufacturer to act as its agent and attorney-in-fact (where permitted by law) for the limited purpose of preparing, executing in Purchaser's name, and filing on its behalf, a financing statement (for example, a UCC-1) to perfect Manufacturer's purchase money security interest in each piece of Equipment. Until title or license has passed to Purchaser and full and final payment has been received by Manufacturer, Purchaser shall not cause nor permit any piece of the Equipment to be sold, leased, or subject to a lien or other encumbrance other than Manufacturer's security interest;

b) In the event of default or breach of any of the Terms and Conditions of the contract, Manufacturer may, at its option, repossess the Equipment and all additions thereto, wherever found, free from all claims whatsoever;

c) Any risk of loss during shipment shall be borne by Purchaser and any loss or damage to the Equipment during shipment shall not relieve Purchaser of its obligations hereunder, including but not limited to making full and final payment to Manufacturer.

The Equipment, or any part thereof, shall not be considered a fixture or be incorporated into realty by reason of its attachment thereto, and may be separated from realty, as well as personality, for the purpose of repossession. Manufacturer shall not be liable to Purchaser, nor shall Manufacturer be subject to any legal proceedings, criminal or civil, for Manufacturer's acts in such repossession, nor for the repayment of any money paid before such repossession as part payment for the Equipment, which shall be retained by Manufacturer as or on account of liquidating damages.



In addition to the purchase money security interest lien described above, Manufacturer shall have the right to elect or assert Manufacturer's claim of a mechanics lien against the property upon which the Equipment may be erected and to waive Manufacturer's right to repossess under section (b) above at any time before the expiration of the time fixed by law for filing such lien.

CLAIMS/LIABILITY -

a) Manufacturer shall not be liable for loss, damage, detention, or delay resulting from causes beyond its control or by acts of God, including floods, and acts of foreign nations, or caused by fire, strike, civil or military authority insurrection or riot, embargoes, car shortages, wrecks or delay in transportation.

b) Manufacturer shall have no responsibility for loss or damage to the Equipment after delivery to the carrier.

c) Manufacturer's liability arising out of the supplying of the Equipment or its use shall not under any circumstances exceed a credit of the purchase price, F.O.B. Manufacturer's factory, of the Equipment.

d) IN NO EVENT SHALL MANUFACTURER BE LIABLE FOR LIQUIDATED DAMAGES, OR INDIRECT, OR CONSEQUENTIAL DAMAGE OF ANY NATURE.

WARRANTIES -

a) Manufacturer warrants to Purchaser that the material and workmanship of the Equipment is of good quality and free of defects and the Equipment of its own manufacture and design delivered hereunder shall be of the kind and quality described in the specifications, and that it shall be suitable for performing the work therein described; provided, however, that the work for which it is intended shall have been fully and adequately presented, shown and described to Manufacturer. The warranty period will start upon shipment from a facility of Manufacturer and conclude based upon a separate prearranged warranty period agreed to in writing by Manufacturer.

b) EXCEPT AS SPECIFICALLY PROVIDED IN (a) ABOVE, MANUFACTURER MAKES NO WARRANTY, EXPRESS OR IMPLIED, RELATING TO THE

EQUIPMENT, ITS MERCHANTABILITY OR FITNESS FOR ANY PARTICULAR PURPOSE.

c) Manufacturer does not provide a separate warranty for parts or components not manufactured by Manufacturer. Equipment, parts and accessories made by other manufacturers are warranted only to the extent of the original manufacturer's warranty to Manufacturer, which if extendable, Manufacturer will extend to Purchaser.

d) In the event of Manufacturer's breach of its warranty as provided in (a) above, Manufacturer's total liability shall be to repair or replace the Equipment and in no event shall Manufacturer have any liability for any consequential, incidental or other special damages, including but not limited to damages or loss of profits resulting from failure of the Equipment or delay caused by its repair.

e) All transportation costs of returning defective goods shall be borne by Purchaser. All transportation costs of returning repaired or replaced products to Purchaser shall be borne by Purchaser.

f) This warranty shall not be in force and effect unless: Purchaser is current with all payments due to Manufacturer; Purchaser gives Manufacturer immediate notice of defective part or parts; Purchaser affords the Manufacturer the opportunity to inspect defective part or parts; material is still property of the original owner; material is still part of the original installation operating under normal usage (eight hours per day and five days per week constitutes normal usage); and material is properly maintained and lubricated per factory instructions.

g) THE ABOVE WARRANTY DOES NOT COVER PARTS WHICH UPON INSPECTION ARE DETERMINED BY MANUFACTURER TO HAVE BEEN SUBJECTED TO MISUSE, NEGLIGENCE, ALTERATIONS, ACCIDENT, ABUSE, DAMAGE BY FIRE, FLOOD OR OTHER SIMILAR CASUALTY.

PATENTS - Manufacturer shall hold Purchaser harmless from any and all costs and damages which shall be recovered against Purchaser in any suit at law or in equity for any infringement of any Letters Patent by reason of the use by Purchaser of the Equipment



herein specified; provided and upon the express condition that the Equipment is used in the manner directed and exclusively for the purpose for which it is sold without any changes and installed or used in compliance with Manufacturer's plans and instructions, and upon further express condition that Purchaser shall immediately after service of the writ in any such suit at law or in equity notify Manufacturer in writing of the commencement of such suit, giving the names of the parties and the title of the court, and shall permit Manufacturer to defend same by its own counsel and at its own expense and to have exclusive control and management of the defense, and that Purchaser shall give Manufacturer all needed information, assistance and authority to enable Manufacturer to defend such suit.

INDEMNIFICATION - Purchaser agrees to indemnify Manufacturer, and hold Manufacturer harmless from, all costs and expenses incurred by Manufacturer, including, without limitation, costs of investigation, attorneys' fees, and amounts paid in settlement or satisfaction of claims, proceedings, or judgments, in connection with all claims and proceedings against Manufacturer based upon claimed defects in design in any item or items manufactured for Purchaser by Manufacturer to Purchaser's design and/or specifications.

CANCELLATIONS - In the event Purchaser should request cancellation of this contract, or part of it, Purchaser agrees to pay Manufacturer the contract price on any articles which are delivered and ready for delivery on the date when such cancellation becomes effective. As to all such articles not so delivered, Purchaser shall have the option:

- 1) To require completion and to pay the contract price thereof; or
- 2) To reimburse Manufacturer for actual expenditures made with respect to the articles which are uncompleted; to reimburse Manufacturer for commitments incurred with respect to the uncompleted articles of the contract; and to pay Manufacturer for the anticipated profit of the entire contract.

Manufacturer may, by written notice to Purchaser and without any liability, cancel Purchaser's contract if

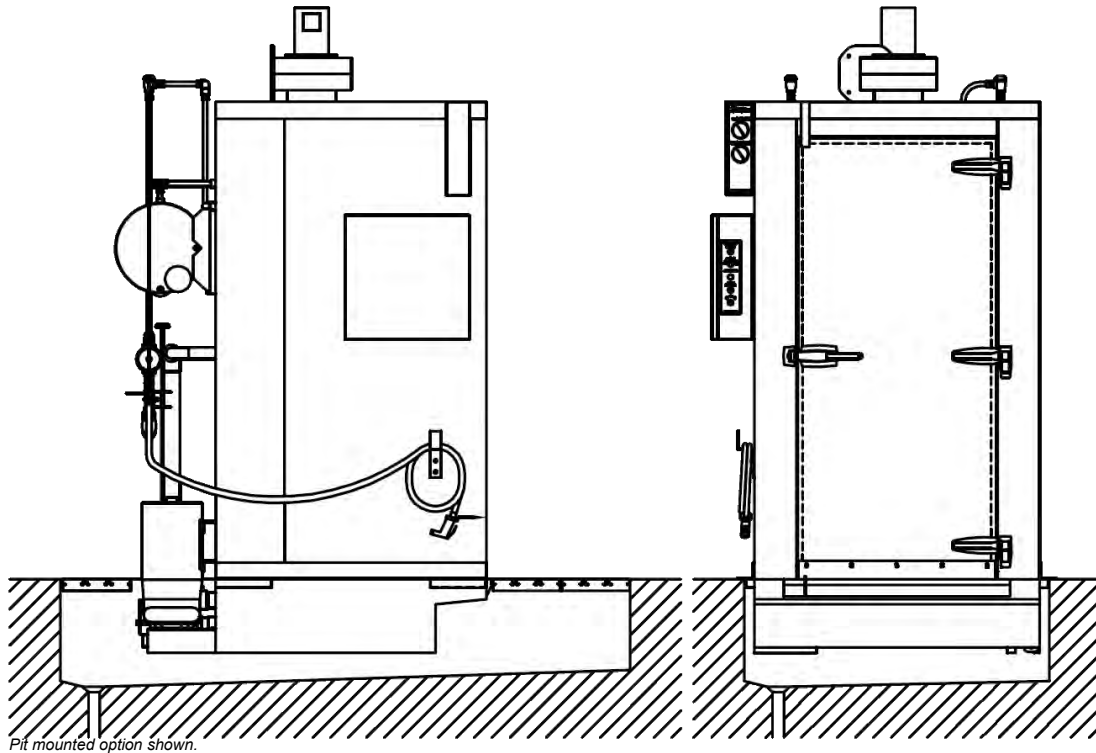
Purchaser (i) fails to perform any of the terms and conditions hereof and does not cure such failure within a period of 10 days after receipt of written notice from Manufacturer specifying such failure: (ii) in Manufacturer's opinion has not established or maintained credit to meet promptly the payment terms imposed by Manufacturer: (iii) becomes insolvent, makes an assignment in favor of creditors, or becomes subject to any bankruptcy, dissolution, or similar proceedings; or (iv) is merged into, or all or a substantial part of its assets are sold to, another company.

FORCE MAJEURE - Delays by Manufacturer or by Purchaser in the performance of this contract shall be excused whenever Manufacturer or the supplying manufacturer is prevented from producing or delivering, or Purchaser from receiving or using the above material, by strikes, differences with workmen, fires, accidents, delays or difficulties in transportation acts of God or the public enemy, or other causes beyond the reasonable control of Purchaser or of Manufacturer or of the supplying manufacturer, as well as acts or demands of the government in times of war or national emergency. Any such delayed performance, however, shall not in any way invalidate this contract or any part thereof.

JURISDICTION - Purchaser irrevocably consents and voluntarily submits to personal jurisdiction of the courts located in Warren County and the United States District Court for the Southern District of Ohio, Western Division in any proceeding arising out of or relating to the contract and agrees that all claims raised in such proceeding may be heard and determined in such court.

GOVERNING LAW - The contract shall be governed by and construed in accordance with the internal laws of the State of Ohio, United States of America, without regard for its choice and or conflict of laws provisions and without regard to the United Nations Convention on Contracts for the International Sale of Goods.

Purchase Orders and/or contracts may only be accepted in writing by an authorized representative of Manufacturer from the Mason Office of Armor Metal Group.



OVERVIEW

The model KS-48 is a walk-in type compact stainless steel cabinet washer designed to clean racks, carts, and delivery cabinets. The washer is fully assembled and tested at the factory. The machine is designed for installation in a shallow pit. When constructing a pit is not desired, a floor-mounted option with load ramp or a side-mounted tank can be ordered.

The machine subjects work to a recirculating high-pressure spray wash through four rotating spray arms followed by a fresh water rinse. The wash tank is manually filled with cold or hot water which is heated by one of the optional systems: a steam injector, steam heated coils, electric immersion heaters, or a natural gas or propane burner. The wash water temperature is thermostatically controlled.

AVAILABLE OPTIONS

- Rinse water booster heater - electric, gas or steam
- Exhaust fan with controls - factory wired
- Draft inducer for gas burner exhaust - factory wired
- Insulated housing
- Automatic water fill
- Carts, racks, and baskets
- Floor-mounted tank and load ramp
- Spray-down hose
- Exhaust damper in place of fan





Selecting a Location

Consider the following when selecting washer location.

- Access to required utilities - see the dimension sheet.
- Minimum distance from outside wall or roof to optimize ventilation.
- Alvey Washing Equipment recommends three (3) feet clearance on the back, left and right side of the washer and six (6) feet in front of the unit for maintenance and storage of cleaned and soiled work.
- Ample floor space for maintenance and for storage of cleaned and soiled work.

Receiving the Machine

Examine the equipment for agreement with the packing slip and dimension sheet. Notify the factory immediately concerning any shortages or shipping damage.

The exhaust fan with attached wiring harness is disconnected from the electrical enclosure with leads clearly marked. The leads are to be fed through and secured into the small diameter open hole, located on the back of the electrical enclosure, and attached to starter #2M.

Service Connections

The KS-48 Rack and Cart Washer is provided with a 1" diameter single point water connection point, located on the backside of the unit. This connection serves the fresh water rinse inlet as well.



Caution: For proper operation, it is imperative that the washer receives heated water at a minimum temperature of 120° F (53.3° C) and a pressure of 20 PSI (138 kPa.)

The connection point is provided with a factory set pressure-reducing valve. There should be no need to set this valve once the washer is installed if the proper water pressure is provided.

The washer is provided with a 1-1/2" diameter manual drain valve. The customer is to provide a minimum 2" diameter pit drain, located as to allow access when washer is in position. The tank overflow pipe is to be emptied directly into the pit.

An 8" diameter flanged exhaust fan opening is provided with the washer. When connecting with this exhaust fan opening, it is recommended that watertight duct, with inside lapping of joints in direction of flow, be used. The fan discharge is recommended to be toward the back of the washer. However, the discharge can be rotated and secured in any other direction.

An optional electrically operated exhaust damper can be mounted in place of the fan.

The main power line drop is brought to the back and secured through the provided large diameter hole on the back of the electrical enclosure. Connect the outside power line to L-1, L-2 and L-3 on the terminal block.





Initial Startup

Check the wash tank and all chambers for debris prior to use.

Close the manual drain valve.

Turn on all manual gas, steam, and water valves.

Verify that the filter screens are in place.

Close the door.

Unlock and turn "ON" main disconnect switch (provided by others). Turn "ON" the washer's power switch located on the front of the washer's control panel. A "WHITE" indicator light will come on.

Push the "GREEN" start button and allow the washer to fill the wash tank and to complete one (1) cycle. Repeat this procedure for at least two (2) additional cycles. Please note that a cycle is complete when the "RED" cycle end light goes off.

The washer will automatically heat both the steam coil heated wash tank and the steam booster for the rinse, as well as maintain the proper water level in the wash tank.



Caution: Before initial startup, make sure installation is completed. Make sure main disconnect switch (provided by others) is off and properly locked out.



Note: Gas burner delay timer (1TR) in control panel prevents buildup of fumes in burner prior to ignition. Timer is preset at five seconds.

Daily Startup

Unlock and turn "ON" main disconnect switch (provided by others).

Close manual drain valve. Turn "ON" washer's main power switch. A "WHITE" indicator light will come on. The water fill system will automatically allow the wash tank to be filled with water and shut off when the proper level is reached. The washer will automatically heat both the steam heated wash tank and the steam booster for the rinse.

Set the wash temperature controller, located on the front of the main control panel to 150°F (See temperature controller manual for setting instructions). When the temperature for the wash tank reaches the 150°F set point, the washer door can be opened and a rack can be loaded. At this time, adjust the wash cycle switch to the light, medium or heavy soil position depending soil conditions. The "GREEN" cycle start button can now be pushed. A "RED" in cycle light comes "ON". The light stays "ON" until the cycle is complete. When the light goes "OFF", the cycle is complete and the door to the washer can be opened and the rack removed.

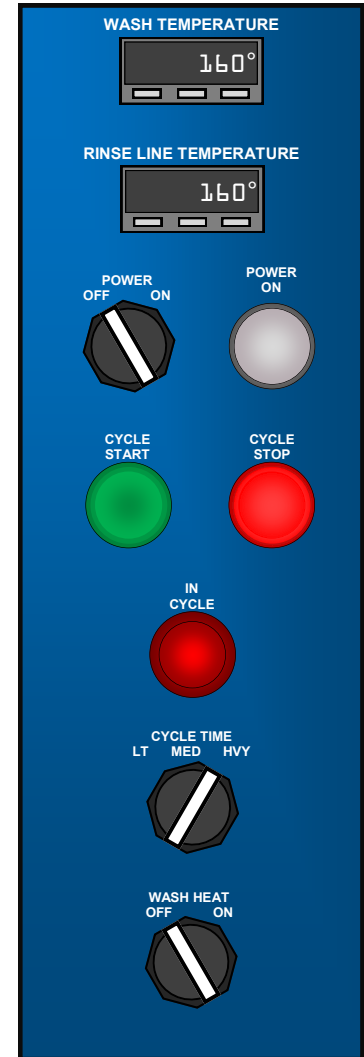



Daily Start-Up

1. Turn on power at customer-provided Disconnect Switch. Electric or gas booster will be connected to a disconnect separate from washer
2. Turn on washer's Main Power Switch. The white "Power On" indicator will light.
3. Ensure that the drain valve is in the closed position.
4. Close door to begin automatically filling the tank. The unit will stop filling the tank when the proper level is reached.
5. Turn on the Wash Heat Switch to activate the steam heat coil in the wash tank.

Sequence of Operation


1. Set the wash temperature controller, located on the front of the main control panel, to 160°F / 71.1°C (See temperature controller manual for setting instructions).
2. When the temperature for the wash tank reaches the 160°F/71.1°C set point, the washer door can be opened and the racks can be loaded.
3. Adjust the Cycle Time Switch to the light, medium or heavy soil position depending soil conditions.
4. Push the green Cycle Start Button to begin wash cycle. The red In Cycle Indicator will light, and stay lit until the cycle is complete.
5. Unload washer after In Cycle indicator goes off and wash cycle ends.




 **Note:** When washer is connected to central exhaust system, means must be provided to prevent the exhaust of moist air during the operation of the washer.

Detergent

When the solution reaches operating temperature, add the proper amount of cleaning compound at the rate recommended by your chemical supplier. If the detergent is in a powder form, pour the powder in the filter baskets, then close the door and run the pump until all compounds have been dissolved. If the compound has been broken up or partially dissolved, this operation will go faster.

 **Notes:** Use of an automatic detergent dispenser is recommended. To insure economical use of the compounds, be sure that the sensing probes are kept clean of any foreign matter. Consult your cleaning compound supplier for recommendations. To obtain satisfactory cleaning, we cannot stress enough the importance of the proper detergent. The temperature controller is located in the control panel.

 **Caution:** The cleaning compound should be the non-foaming type and should not contain a chemical substance that will damage copper or aluminum.





Daily Maintenance

- Open the drain valve to remove water from tank
- Turn off power to the washer
- Remove interior floor grating, all filter screens, and pump intake screen and clean thoroughly.
- Flush housing and tank thoroughly.
- Inspect interior of machine for:
 - * Nozzle clogging - clean if necessary.
 - * Spinning arms freedom of movement – remove and clean if necessary.
- Remove any debris from the heating surfaces, temperature and level probes.
- Replace pump intake screen, all filter screens and interior floor grating and leave door open so that interior will air dry.
- Wipe down exterior of machine.



Caution: Avoid entering the wash chamber when the tank solution is hot.

Weekly Maintenance

Remove end caps located at the end of each wash spray pipes.

Inspect wash nozzles for clogging. If clogged, use a small diameter wire such as a paper clip, to force any nozzle obstructions back into the pipes. When nozzles are removed, care must be taken to adjust them to their original position when replacing.

With end caps removed, close the door and start the pump. All debris will be blown out of the ends of the pipes.



Caution: Run pump for no more than ten seconds. Pump damage will occur if the pump is allowed to run longer than ten seconds.

After running, open door and replace the end caps.

Remove the spinning arm assemblies and flush the bearings with clean water until free movement is achieved.



Note: There is a small hole drilled in the side of one of the spinning spray pipes. Keep this hole clear of clogging. If this hole becomes clogged, the spray arms will not spin properly.

PUMP

Your Alvey Pan Washer is equipped with a vertical immersion pump without seals. Pump discharge pressure is 35 to 45 PSI / 241-310 kPa.

A small diameter tube that drains water from the seal area is provided. Make sure that this tube, which is located at the pump's flanged discharge, is not kinked or damaged. To help prevent further pump damage, periodically check the pump casing for any foreign matter. Grease pump motor every six months. Check direction of rotation after installation or any electrical maintenance.



Service & Maintenance

NOZZLE CLEANING AND ADJUSTMENT

1. Poke debris clogging the nozzles back into the spray arm.
2. Remove nozzle at end of spray arm.
3. Close door and run pump for 5 seconds. Debris will be flushed out.
4. Replace nozzle.



Note: When nozzles are removed, care must be taken to adjust them to their original position when replacing. See Figure 1.

CLEANING OF HUB ASSEMBLIES

Remove spray arm assembly and flush out bearing with clean water. Rotate by hand until hub moves freely.

OPTIONAL EXHAUST FAN

The exhaust fan removes steam vapors from cabinet when door is open. Two types of fans can be furnished, a squirrel cage and a tube axial type. The squirrel cage fan is equipped with sealed bearings, which will not need grease. The tube axial fan bearings should be greased at regular intervals. If further information about the optional fan systems is required, contact Armor Aftermarket for assistance.

OPTIONAL RINSE WATER BOOSTER HEATERS

The booster heater raises the water temperature to meet sanitation requirements for rinsing (180° - 195° F). See Sec. V for required services. Each booster has been designed and selected to operate on specific pressures, temperatures and volumes. Operating conditions must be known at time of order to assure a booster is selected that will give satisfactory performance.

PERIODIC SERVICE AND MAINTENANCE

1. Check filter screens twice daily. Check filter more frequently with heavy cleaning load.
2. Check wash nozzles for clogging twice daily. This can be done at noon break and after shut down.
3. Check twice daily to see that spray hubs turn freely.
4. Drain solution from the tank and flush at least once daily. (See Sec. IV A).
5. Keep washer exterior free from an accumulation of items, which may block air circulation to pump. The exterior appearance may be maintained by wiping with a damp cloth. Stainless steel wax or polish may be applied if desired.

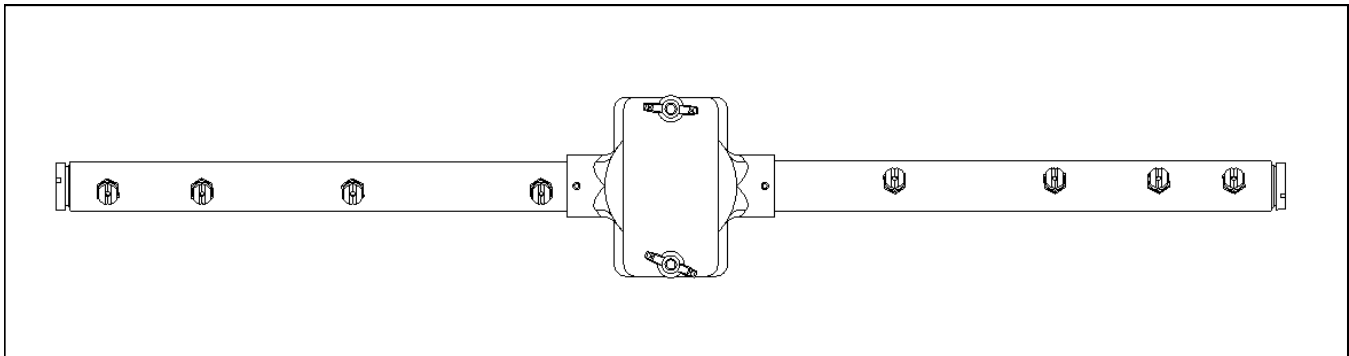


Figure 1: Positioning of Nozzles on Spray Arm



Wash Pump

PROBLEM	DIAGNOSIS	CORRECTIVE ACTION
Low Pressure	Pump is running backwards.	Reverse motor leads.
	Nozzles missing.	Replace nozzles.
	Leak in discharge piping.	Repair leak.
	Faulty pressure gauge.	Replace gauges.
	Excessive soap suds.	Use non-foam soap.
	Pump suction clogged.	Remove obstruction.
High Pressure	Clogged nozzles or discharge piping.	Remove obstruction.
	Faulty pressure gauge.	Replace faulty gauge.
Pump Vibration	Worn impeller.	Replace impeller.
	Worn wear ring.	Replace wear ring.
	Bent shaft.	Replace shaft.
	Clogged impeller.	Remove obstruction.
	Low water level.	Add water to tank.

Wash Pump

PROBLEM	DIAGNOSIS	CORRECTIVE ACTION
Motor overheating.	Low voltage.	Check to ensure correct voltage.
High current draw.	Missing spray nozzles.	Replace nozzles.
	Faulty motor or motor cooling fan.	Replace motor.
	Motor running backwards.	Reverse motor leads.
Motor vibration.	Bent shaft.	Replace shaft.
	Worn bearings.	Replace bearings.
Motor will not start.	Blown fuse on transformer secondary.	Replace fuse.
	Overload has dropped out.	Reset overload.
	Faulty door switch—door not fully closed.	Replace motor coil.
	Faulty programmable relay.	Replace switch.
Motor won't shut off.	Faulty wash timer.	Reprogram cycle timer.



Door Limit Switch

PROBLEM	DIAGNOSIS	CORRECTIVE ACTION
Washer not operating.	Door not fully closed.	Close door.
	Faulty door switch.	Replace switch.

Spinning Arm Assembly

PROBLEM	DIAGNOSIS	CORRECTIVE ACTION
Arms will not turn.	Foreign materials in hub assembly.	Remove debris.
	Interference with guard rails.	Reinstall hub.
Excessive play in arm.	Worn bushing in hub assembly.	Replace hub assembly.

Steam Booster

PROBLEM	DIAGNOSIS
Booster not heating.	Faulty temperature readout on front of panel.
	Clogged heating coil unit.
	Low steam pressure or low water temperature.
	High water pressure.

Exhaust Fan / Motor

PROBLEM	DIAGNOSIS	CORRECTIVE ACTION
Fan/motor vibration.	Worn bearings.	Replace bearings.
	Wheel out of balance.	Balance wheel.
	Bent shaft.	Replace shaft.
Motor overheating.	Low voltage.	Check to ensure correct voltage.
	Bent shaft.	Replace shaft.
	Worn bearing.	Replace worn bearings.
	Running backwards.	Reverse motor leads.



Steam Coil

PROBLEM	DIAGNOSIS	CORRECTIVE ACTION
Will not heat.	Clogged coil.	Remove and clean coil.
	Faulty temperature controller.	Replace controller.
	Temperature controller not adjusted.	Adjust controller.
	Faulty thermocouple.	Check thermocouple.
	Faulty low-level probe.	Probe not adjusted.
		Clean or replace probe.

Control Panel

A qualified electrician should be called in for trouble-shooting and repair of the washer controls.



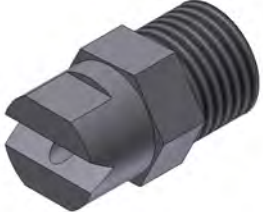



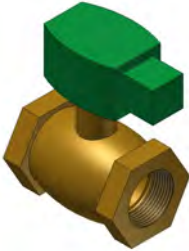







Recommended Spare Parts

Description	Part Number	Quantity
Wash nozzle	11249	5
Rinse nozzle	77023	5
Rinse solenoid valve	10243	1
Steam heat solenoid valve	44698	1
Control relay	52928	1
Control circuit CB	54360	1
Flanged wash arm bushing	43259	4
Temperature controller	52998	2
Back Pressure Gauge	42767	
.75" Vacuum Breaker	43256	
Wash Arm Hub	43305	
Neoprene Gasket	43403	
Latch Body	43491	
Latch Roller Striker	43492	
Release Rod and Flag	43493	
Brass Spray Nozzles	43509	
Centrifugal Pump	55580	
Large Lower Bearing	44483	



Illustrated Spare Parts

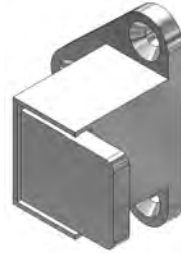
 <p>Wash Nozzle Part Number: 11249 Suggested Quantity: 5</p>	 <p>Rinse Nozzle Part Number: 77023 Suggested Quantity: 5</p>
 <p>Brass Nozzle Spray System Part Number: 43509 Suggested Quantity: ??</p>	 <p>Wash Arm Hub Part Number: 43305 Suggested Quantity: ??</p>
 <p>Steam Heat Solenoid Valve Part Number: 44698 Suggested Quantity: 1</p>	 <p>Rinse Solenoid Valve Part Number: 10243 Suggested Quantity: 1</p>
 <p>Centrifugal Pump Part Number: 55580 Suggested Quantity: ??</p>	 <p>Neoprene Gasket Part Number: 43403 Suggested Quantity: ??</p>
 <p>Back Pressure Gauge Part Number: 42767 Suggested Quantity: ??</p>	 <p>Vacuum Breaker Part Number: 43256 Suggested Quantity: ??</p>



Illustrated Spare Parts (Cont.)



Door Latch Handle
Part Number: 43491
Suggested Quantity: ??



Roller Strike
Part Number: 43492
Suggested Quantity: ??



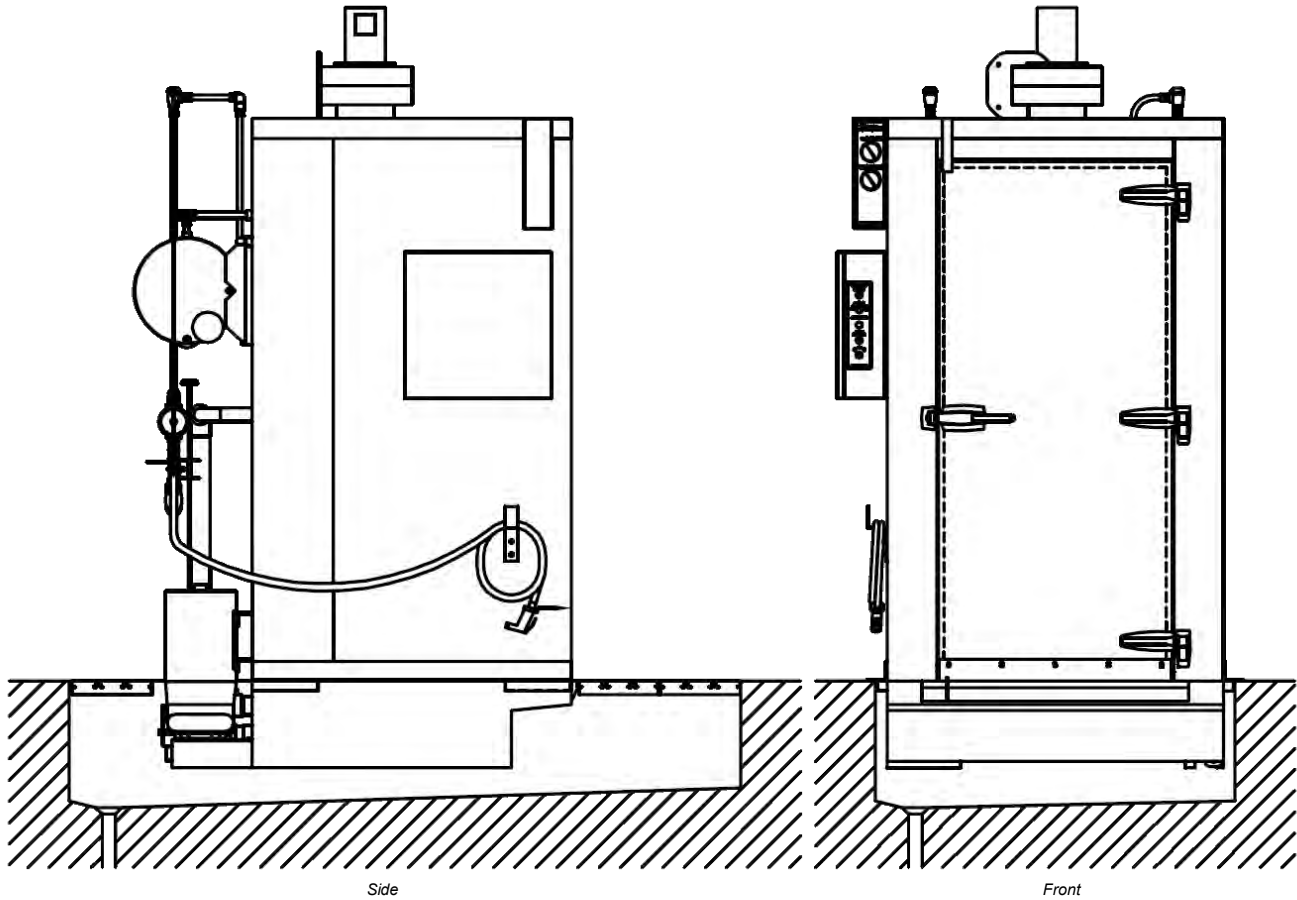
Release Rod
Part Number: 43493
Suggested Quantity: ??



Large Lower Bearing
Part Number: 44483
Suggested Quantity: ??



Pit mounted option shown.



Side

Front



ISO 9001
Quality